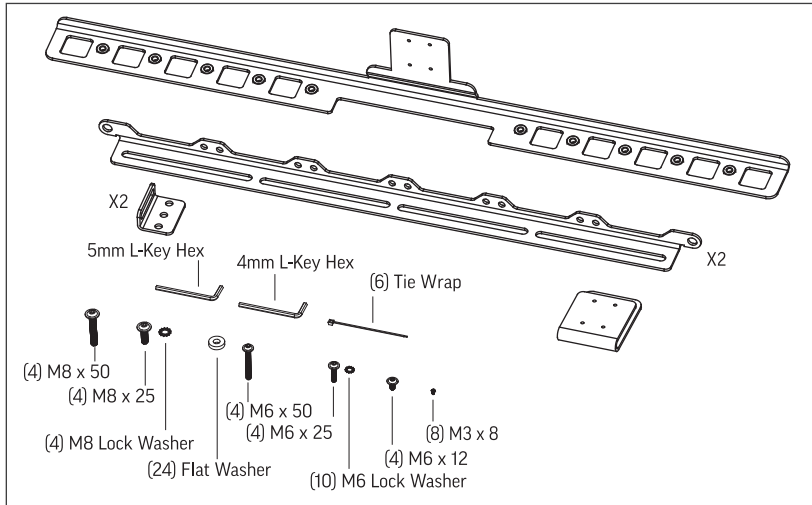
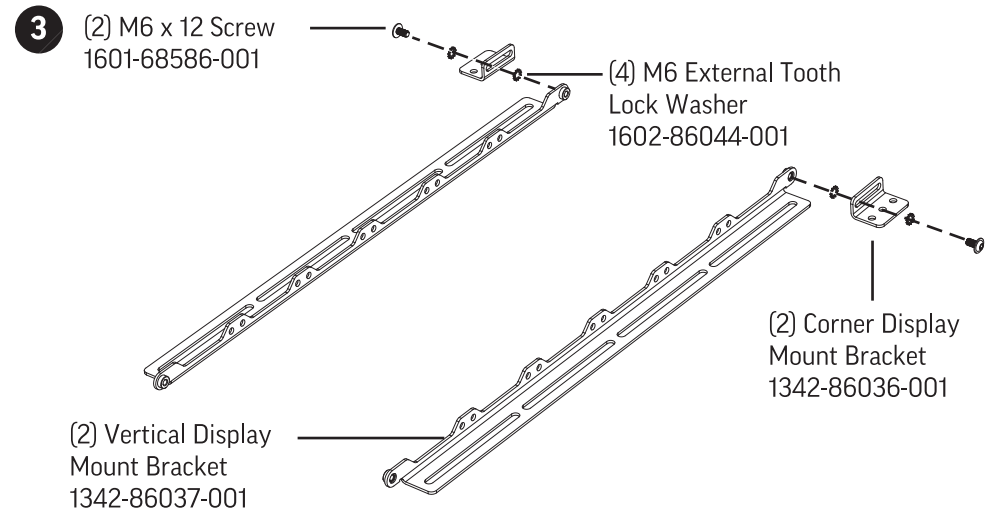
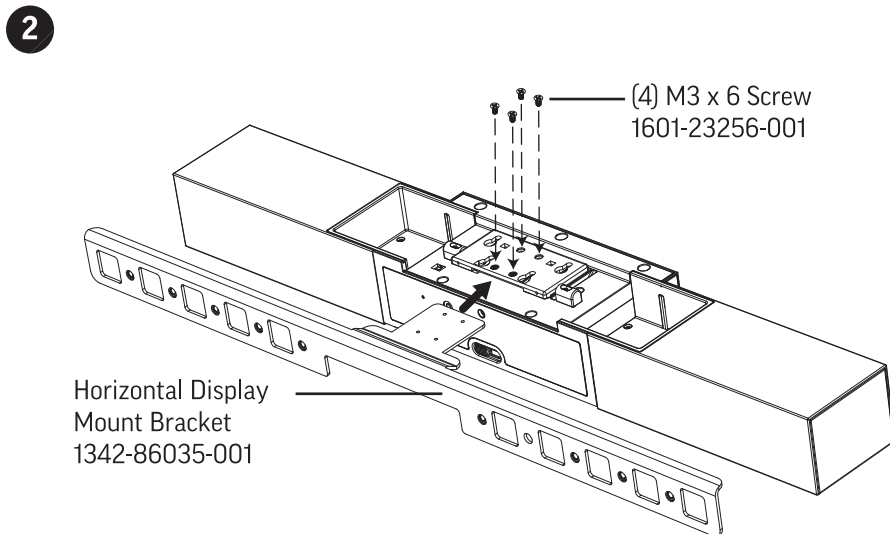
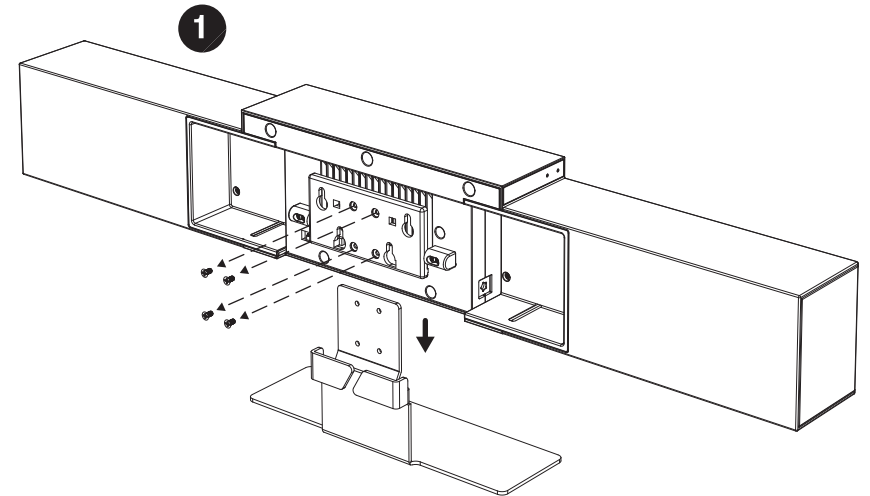


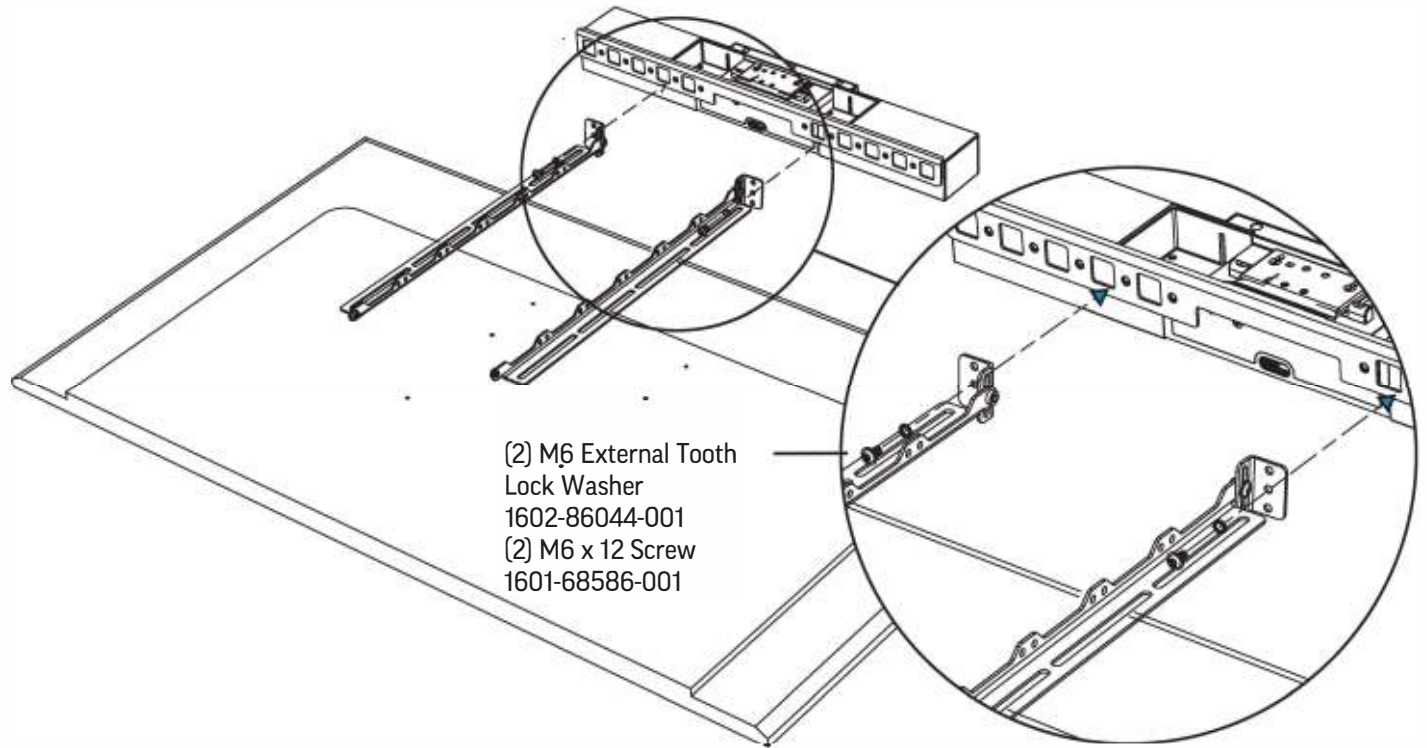
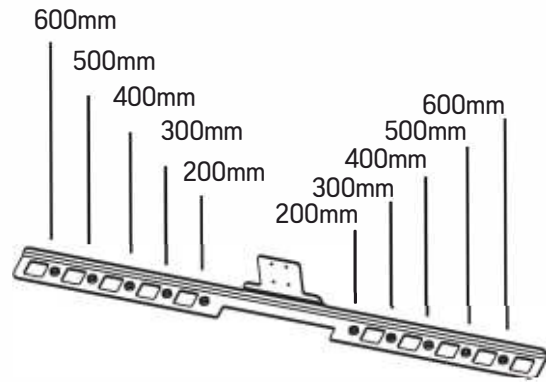
Poly Studio Display Mounting Kit



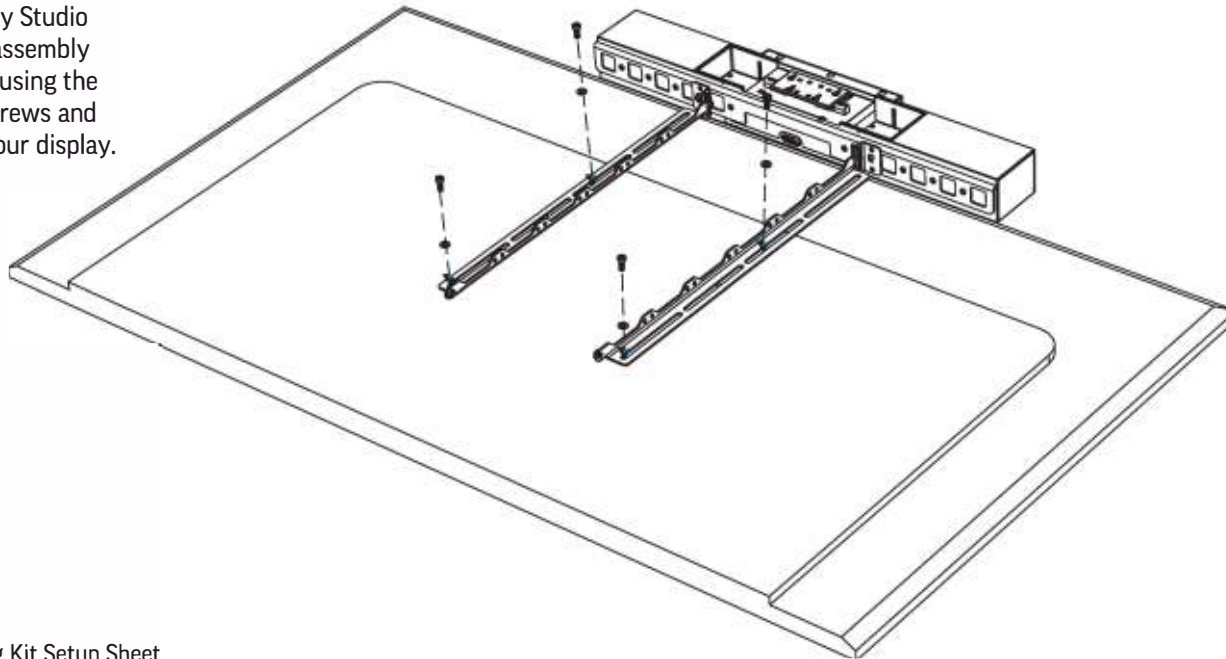
Top of Display
 Haut de l'écran
 Display, unten
 Parte superior de la pantalla
 Parte superiore del display
 Parte superior da tela
 Góra ekranu
 Kijelző teteje
 Toppen av displayet
 ディスプレイの上部
 디스플레이 상단
 显示屏顶部
 顯示器頂部



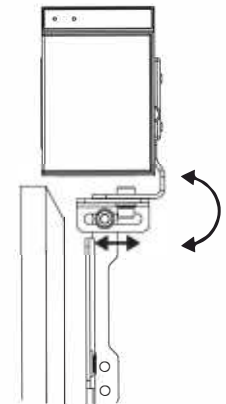
4 VESA Mounting Options



5 Attach the Poly Studio mounting kit assembly to the display using the appropriate screws and washers for your display.



6



Bottom of Display

Bas de l'écran

Display, oben

Parte inferior de la pantalla

Parte inferiore del display

Parte inferior da tela

Dót ekranu

Kijelő alja

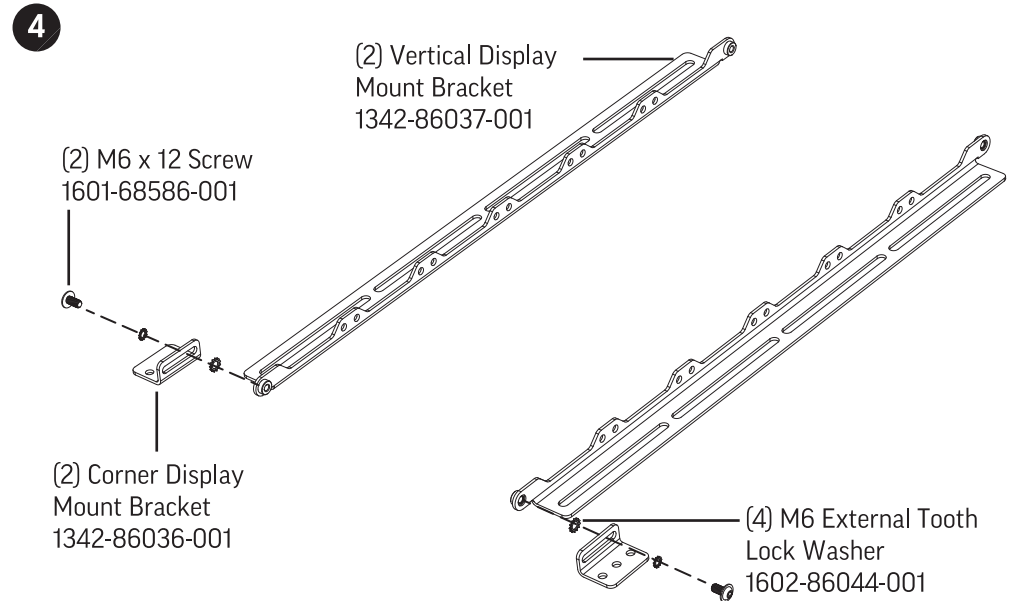
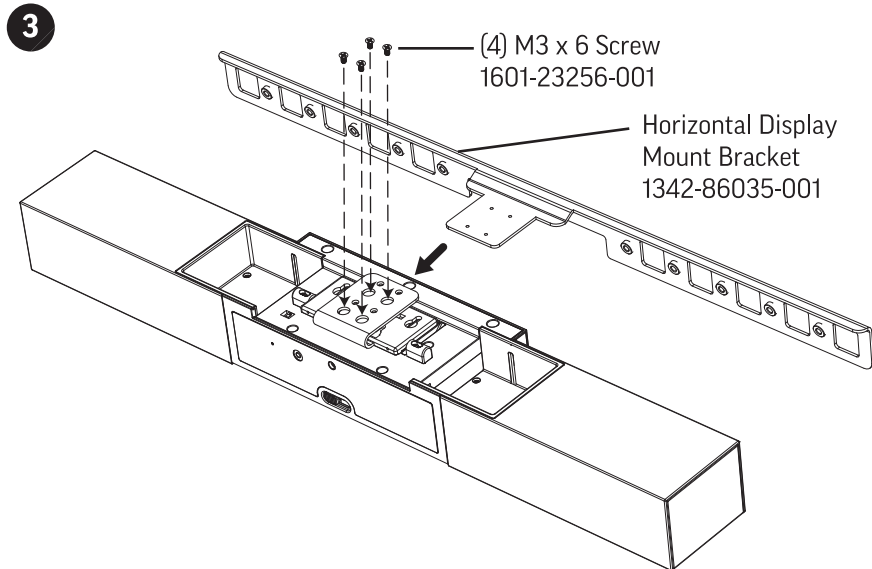
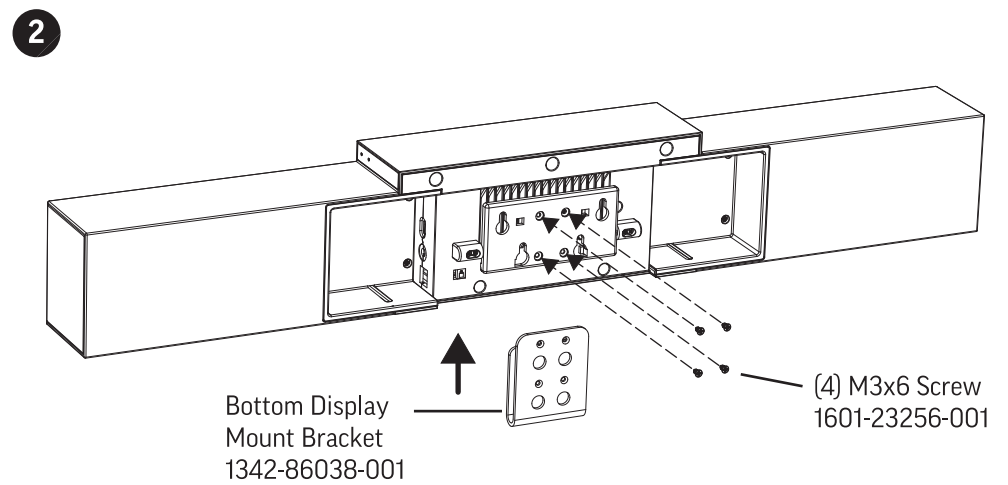
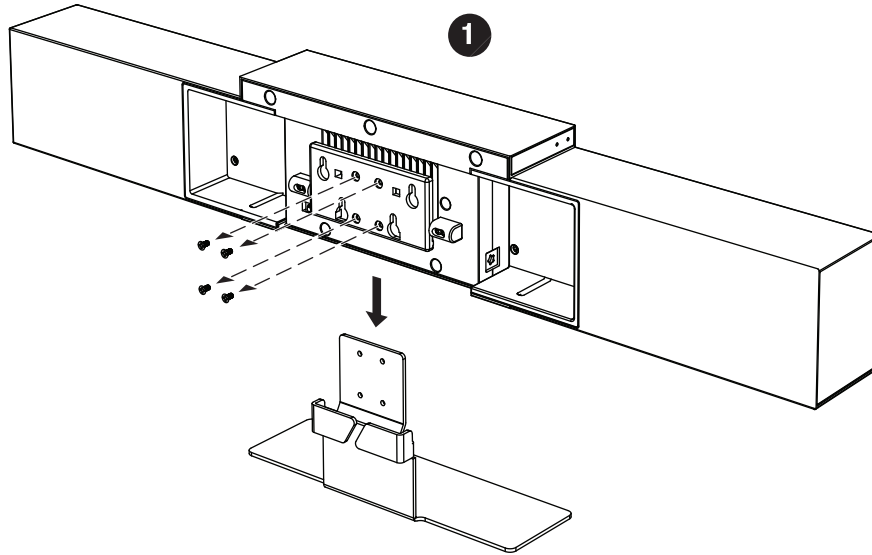
Bunnen av displayet

ディスプレイの下部

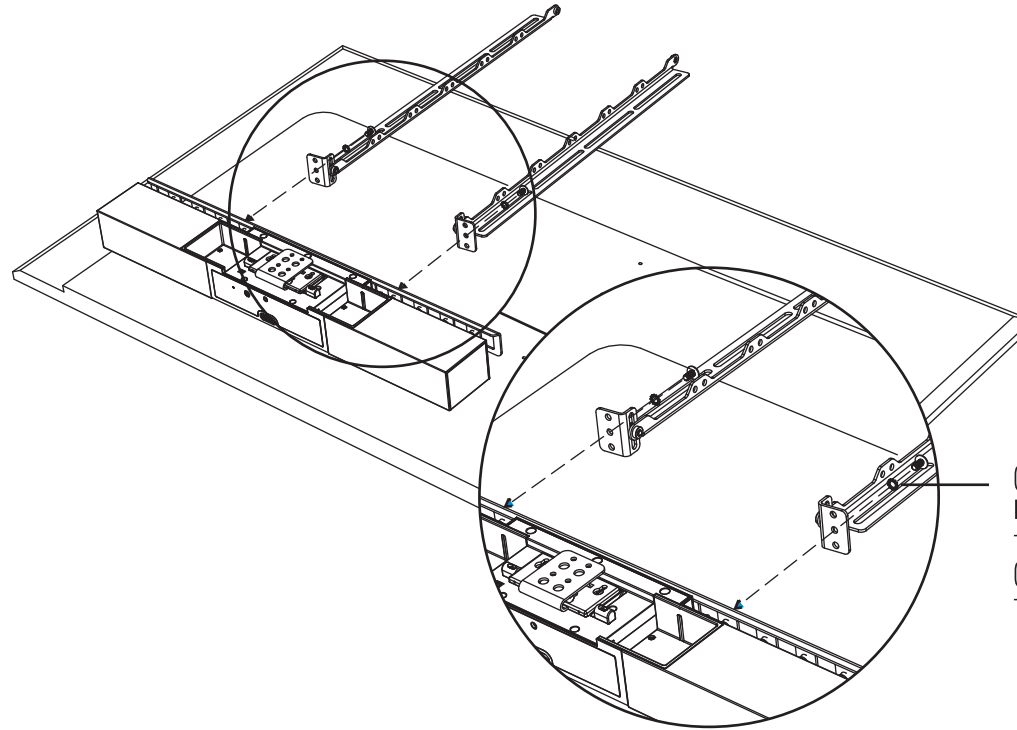
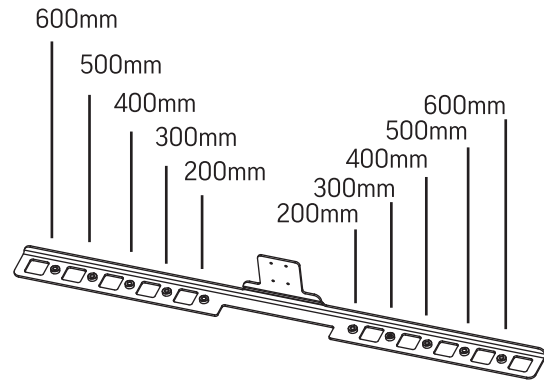
디스플레이 하단

显示屏底部

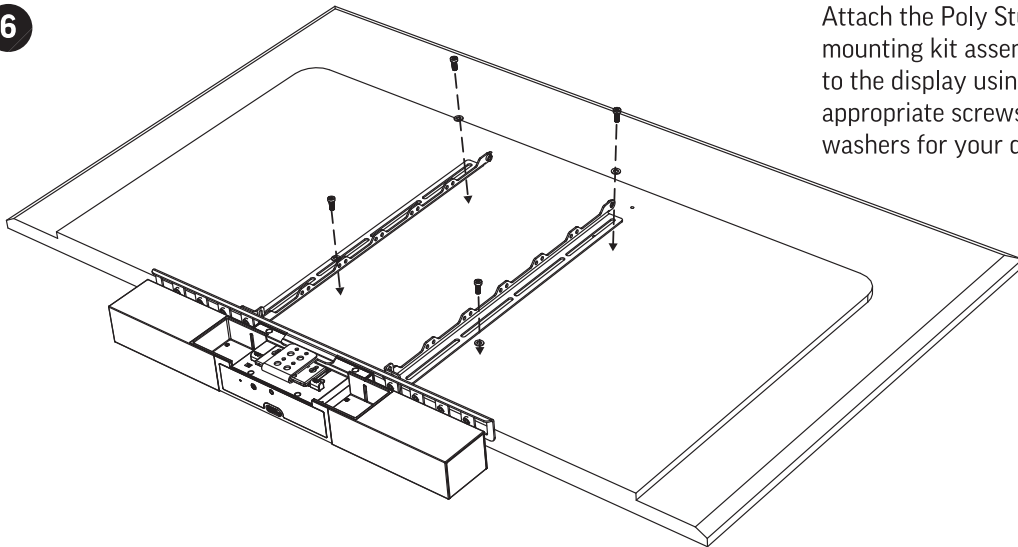
顯示器底部



5 VESA Mounting Options

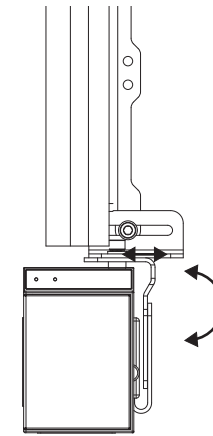


6



Attach the Poly Studio mounting kit assembly to the display using the appropriate screws and washers for your display.

7



support.polycom.com/peripherals