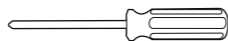




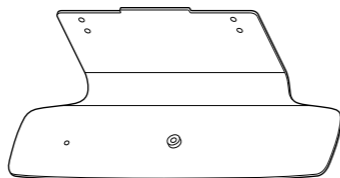
QUICK START

POLY STUDIO X70 STAND

TOOLS

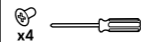
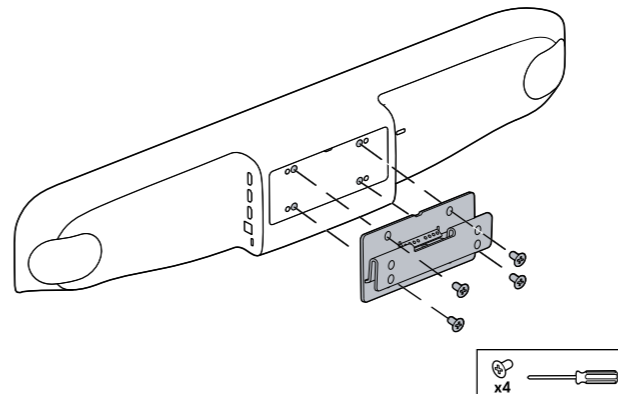


CONTENTS



(4) M4 × 8 mm
Flat Head Screw

1



www.poly.com/support/studio-x70



© 2021 Plantronics, Inc. All rights reserved. Poly, the propeller design, and the Poly logo are trademarks of Plantronics, Inc. All other trademarks are the property of their respective owners. Manufactured by Plantronics, Inc.

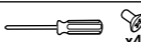
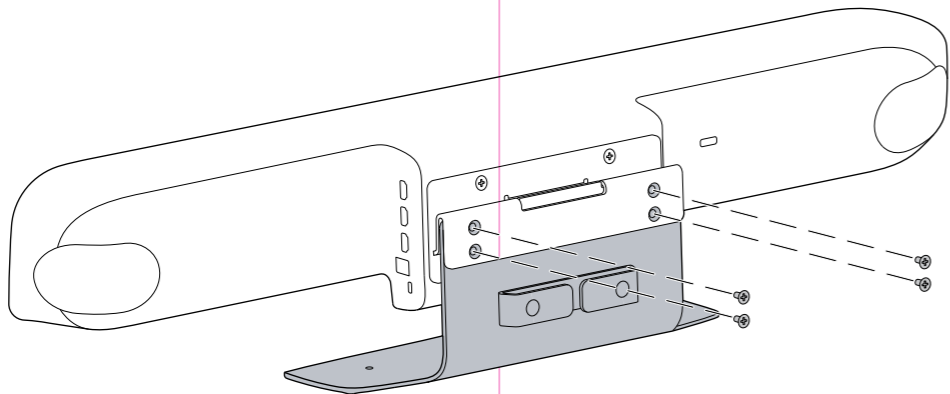


Recyclable where facilities exist

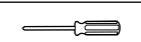
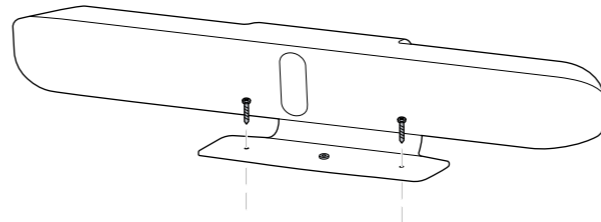


1725-87465-001B 09.21

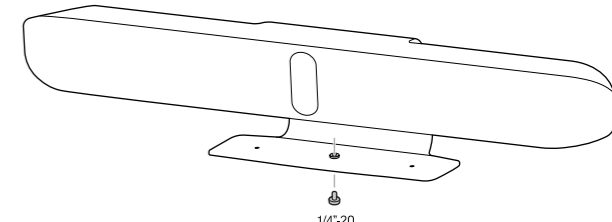
2



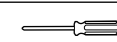
OPTIONAL



OPTIONAL



1/4"-20

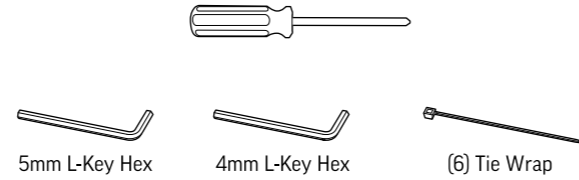




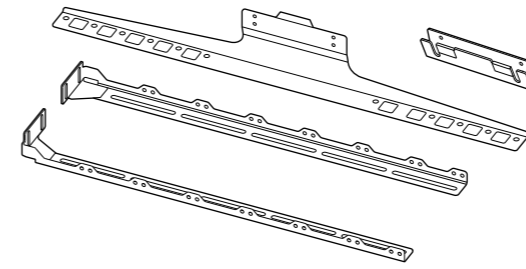
QUICK START

POLY STUDIO X70 DISPLAY MOUNT

TOOLS



CONTENTS



www.poly.com/support/studio-x70



© 2021 Plantronics, Inc. All rights reserved. Poly, the propeller design, and the Poly logo are trademarks of Plantronics, Inc. All other trademarks are the property of their respective owners. Manufactured by Plantronics, Inc.

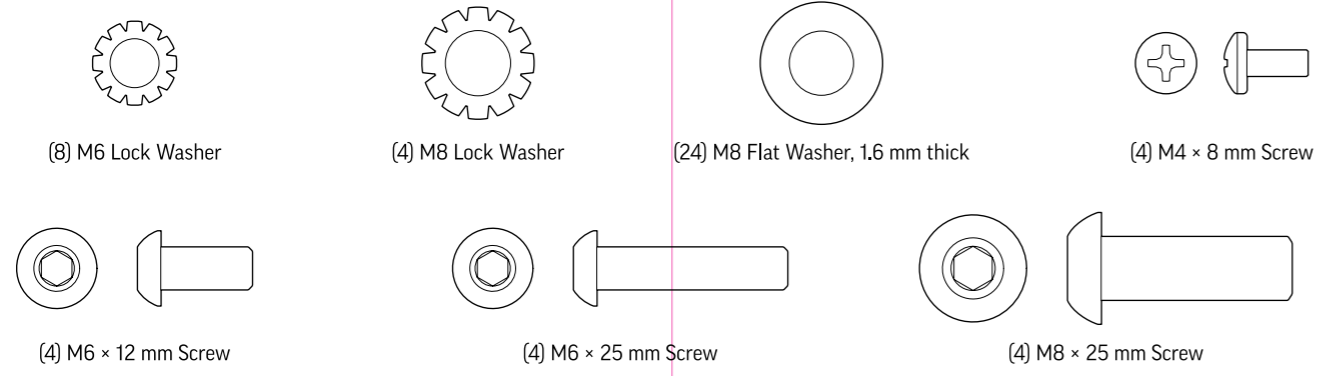


Recyclable where facilities exist

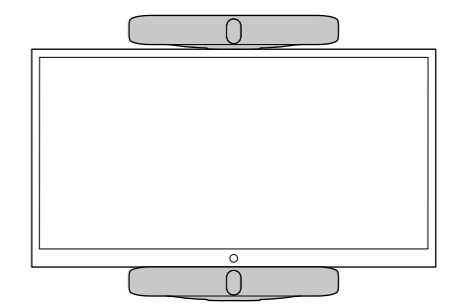


1725-87374-001B 08.21

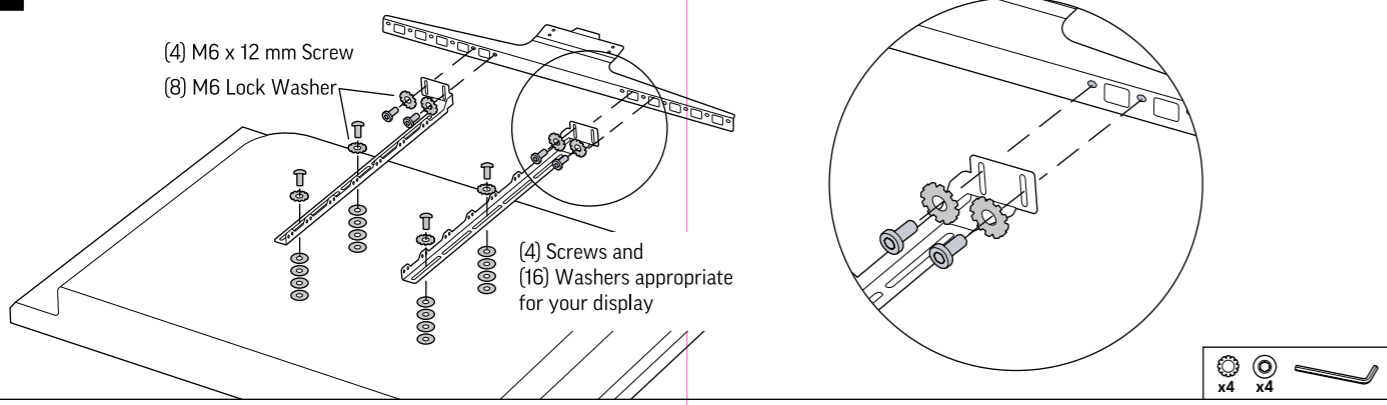
HARDWARE



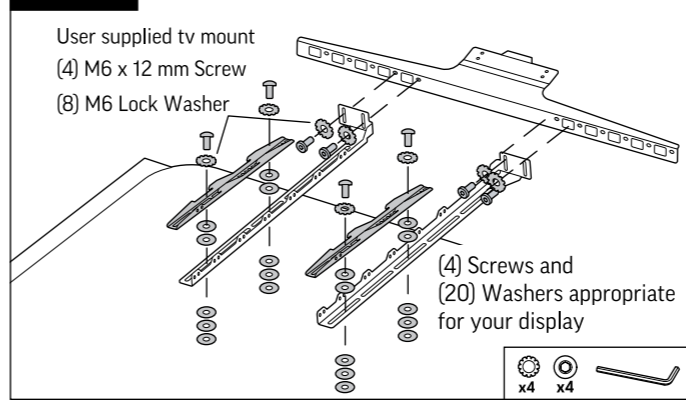
MOUNTING OPTIONS



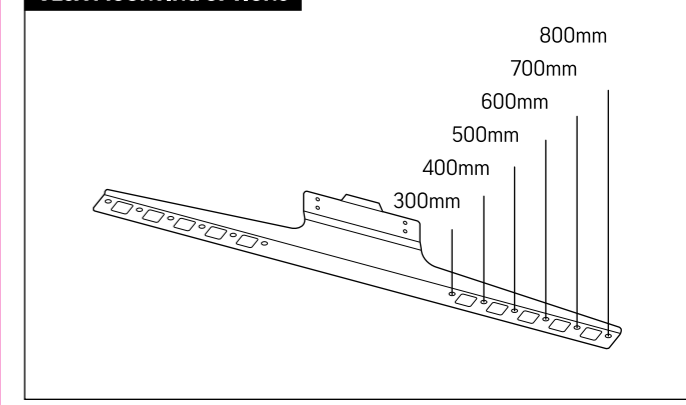
1



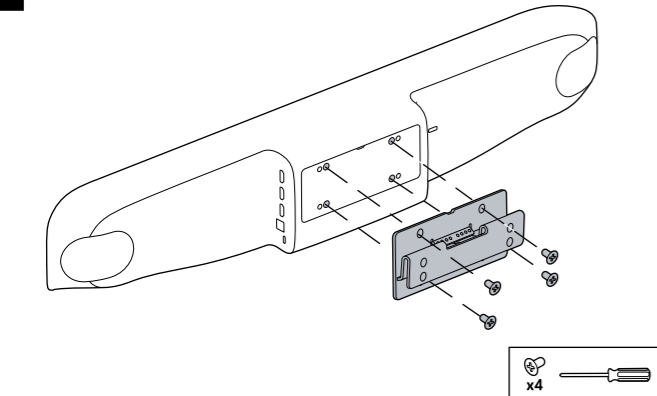
OPTIONAL



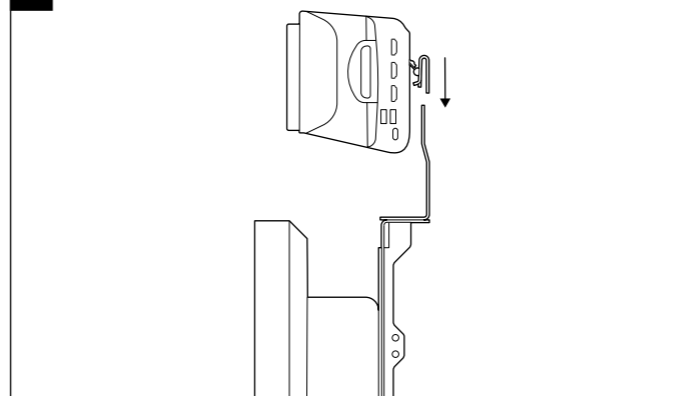
VESA MOUNTING OPTIONS



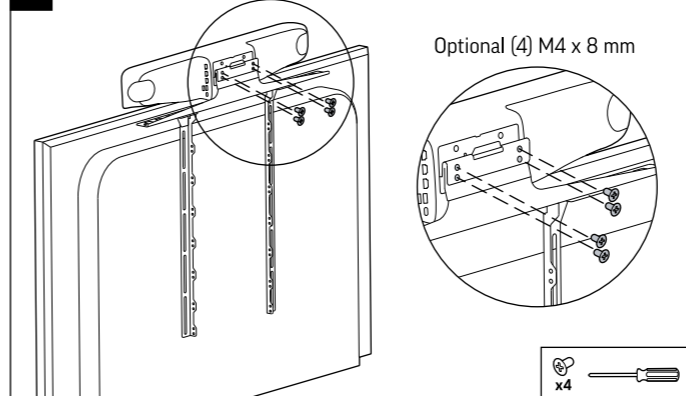
2



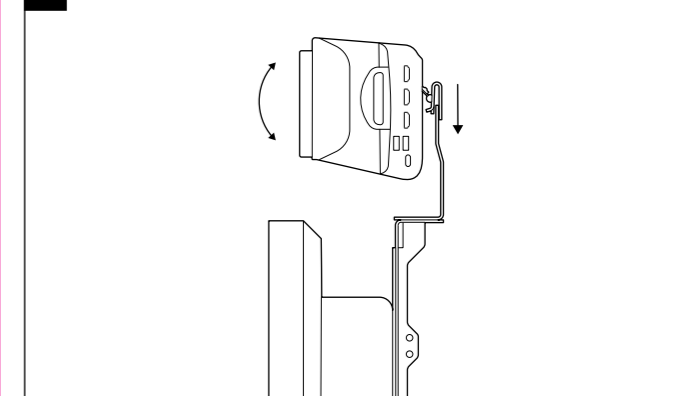
3



4



5





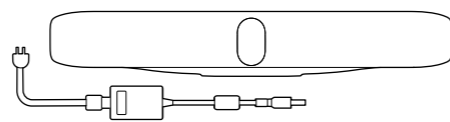
QUICK START

POLY STUDIO X70 WITH WALL MOUNT

www.poly.com/support/studio-x70



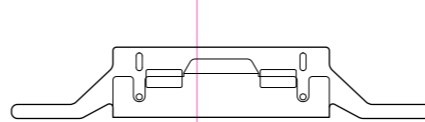
CONTENTS



(2) HDMI 1.83 m (6 ft)

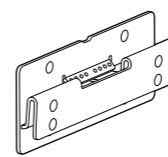


LAN 4.57 m (15 ft)

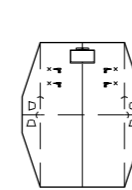


(4) #8 x 7/8" Plastic Anchor

(4) #8 x 1" Screw



(4) M4 x 8 Screw

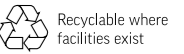


Template



www.poly.com/support/studio-x70

© 2021 Plantronics, Inc. All rights reserved. Poly, the propeller design, and the Poly logo are trademarks of Plantronics, Inc. All other trademarks are the property of their respective owners. Manufactured by Plantronics, Inc.

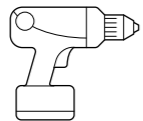
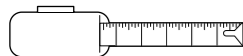
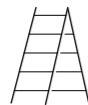
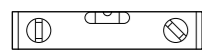


Recyclable where facilities exist

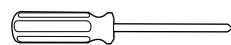
1725-87373-001B 09.21



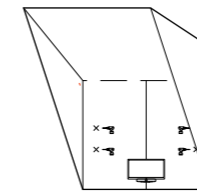
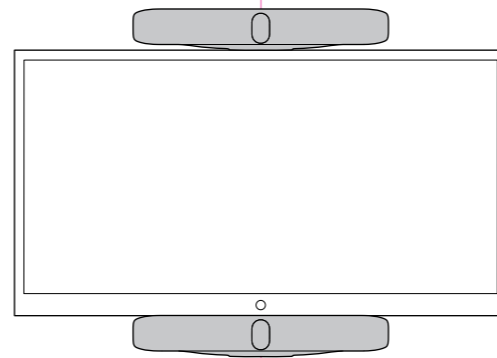
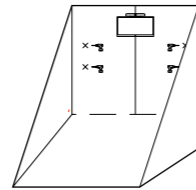
TOOLS



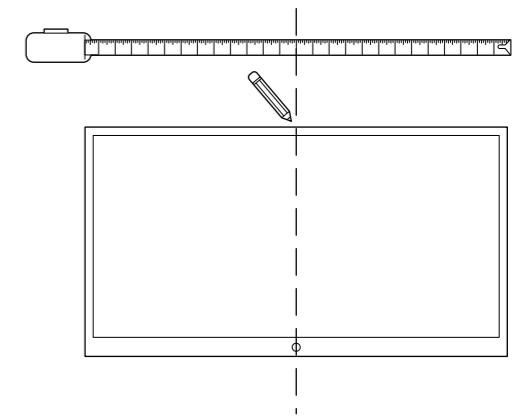
6 mm



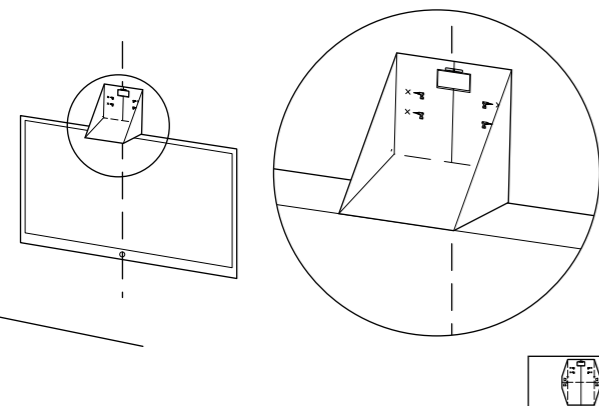
MOUNTING OPTIONS



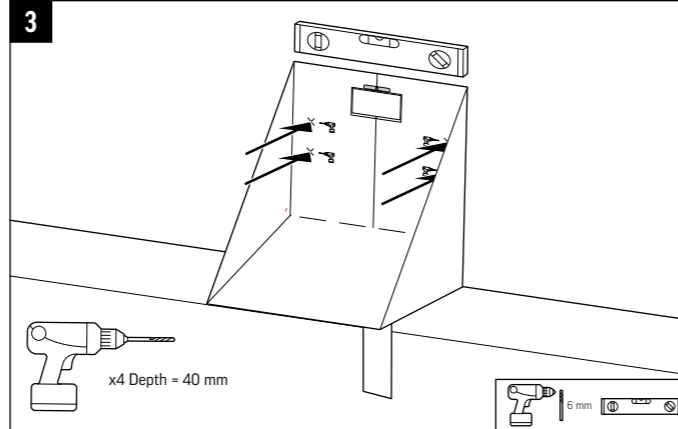
1



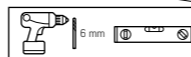
2



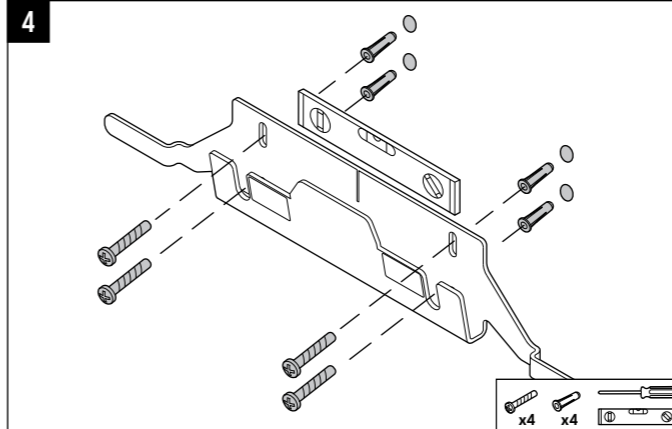
3



x4 Depth = 40 mm

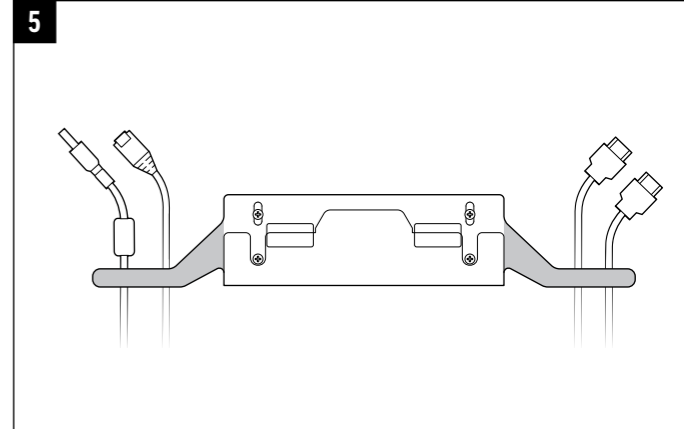


4

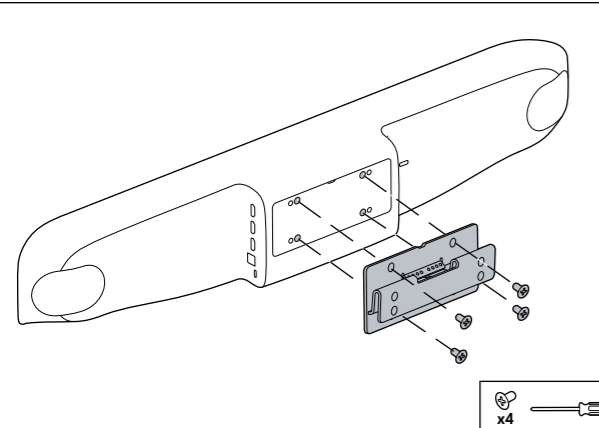


x4 x4

5

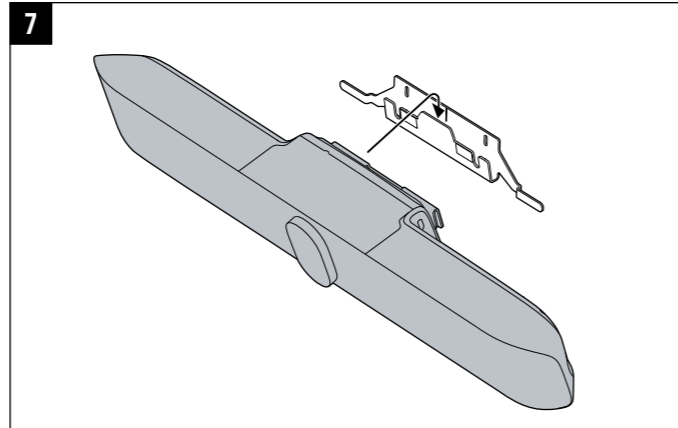


6

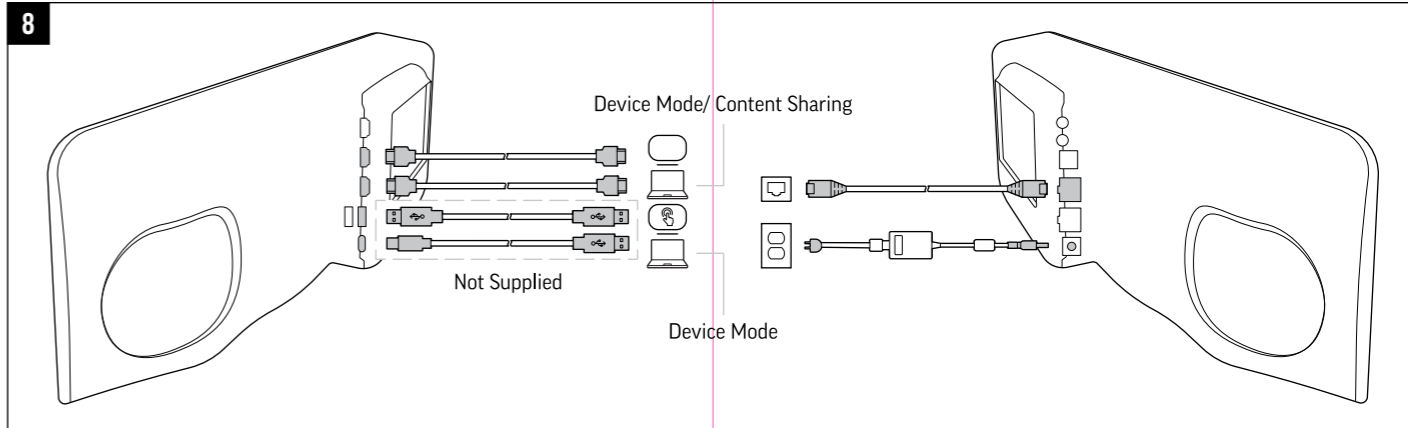


x4

7



8



Not Supplied

Device Mode/ Content Sharing

Device Mode