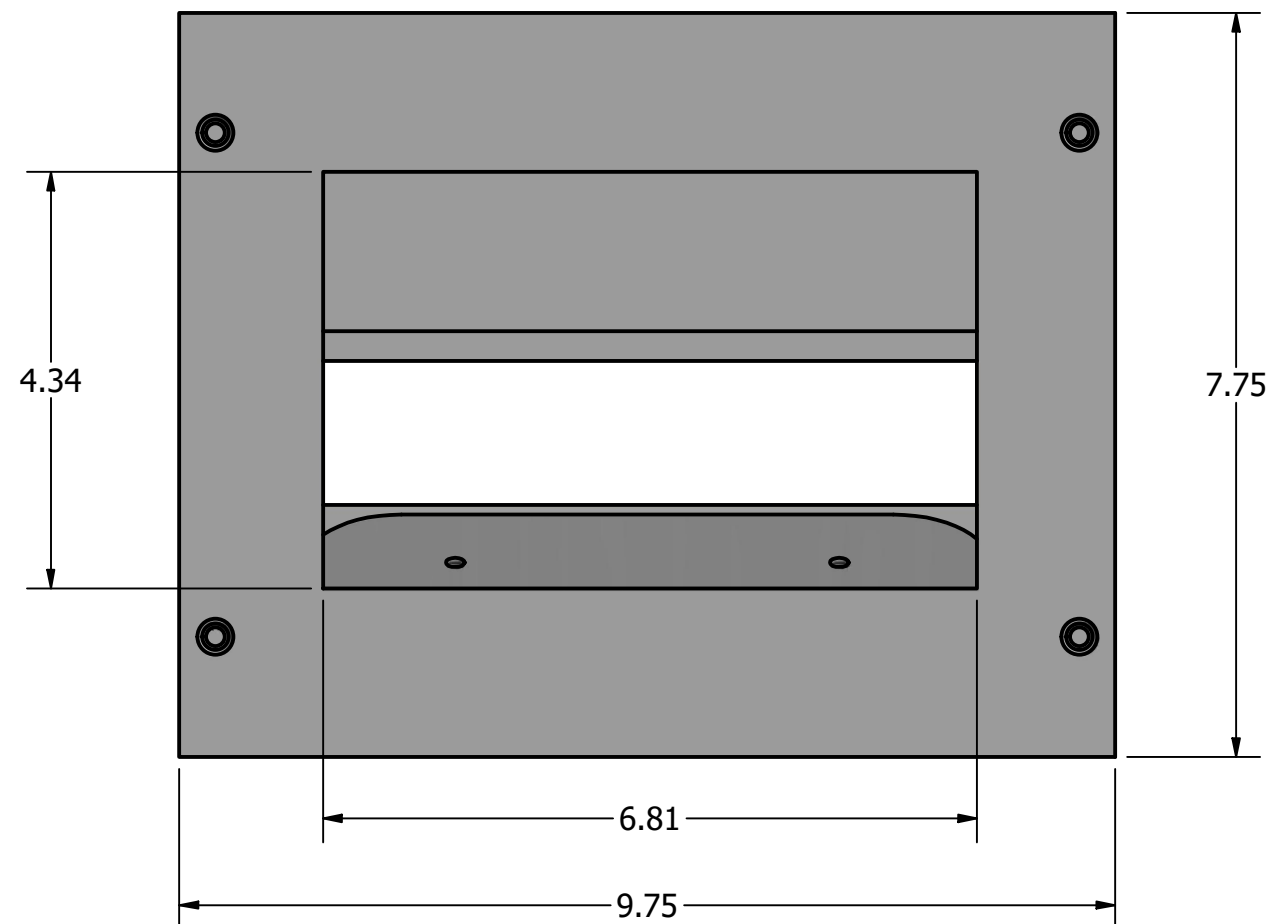
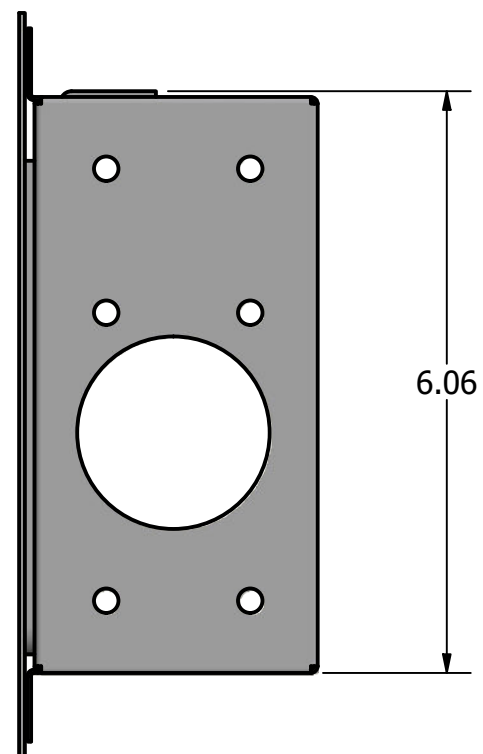


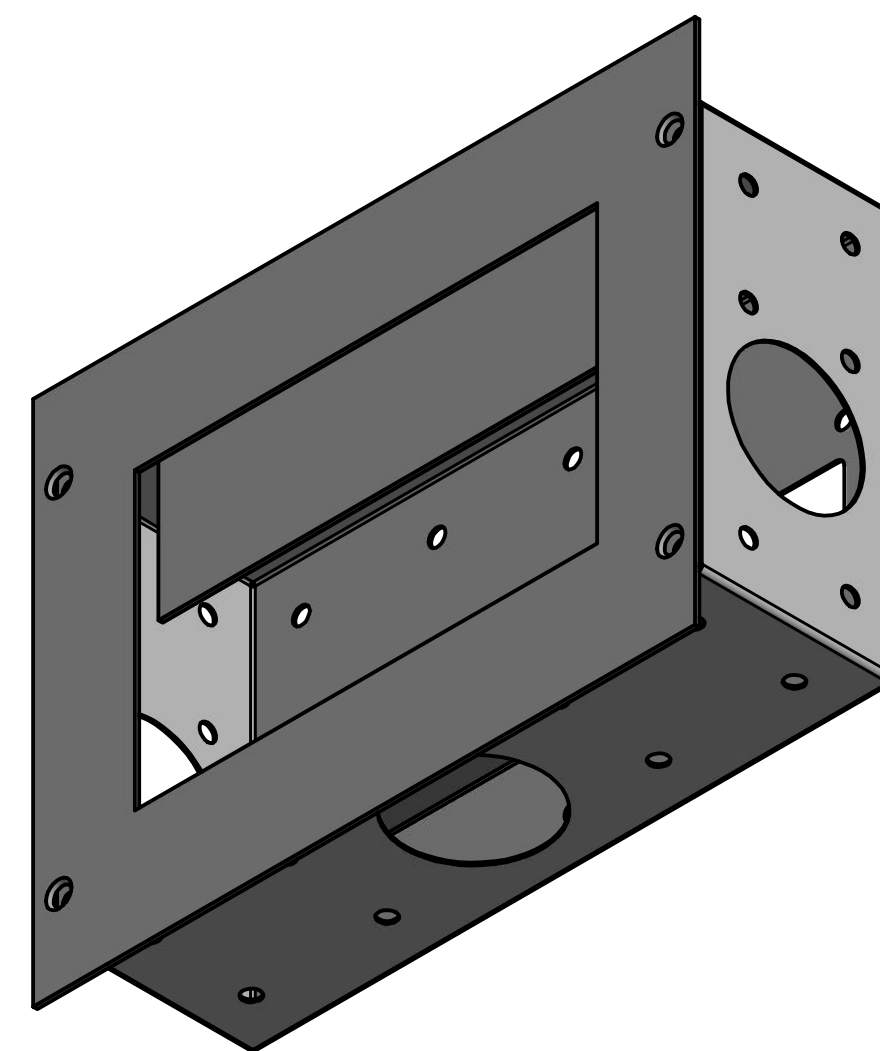
Front



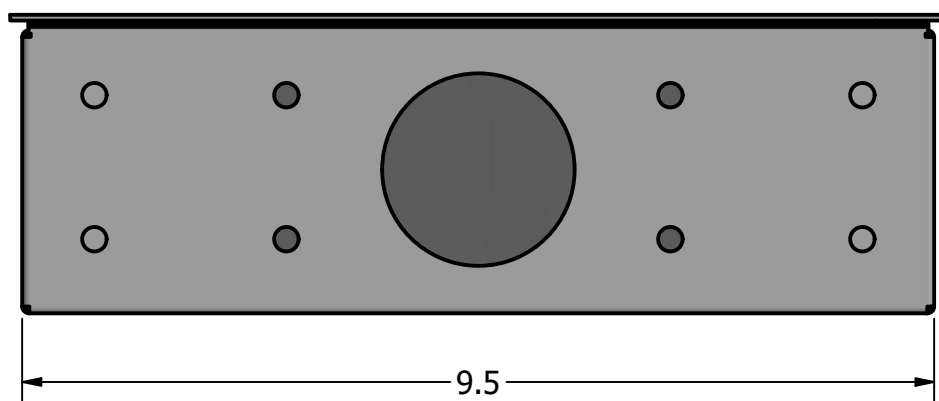
Side



Isometric



Top



DRAWN jtapley	11/30/2020	AVTEQ®		
CHECKED				
QA		SIZE C	DWG NO TC8-WMP	REV
MFG		SCALE 1 / 2	Inches	SHEET 4 OF 4
APPROVED				

THIS DOCUMENT CONTAINS CONFIDENTIAL AND PROPRIETARY INFORMATION THAT CANNOT BE REPRODUCED OR DIVULGED, IN WHOLE OR IN PART, WITHOUT WRITTEN AUTHORIZATION FROM **AVTEQ Inc. Dallas TX 75247, (214) 905 9001, AVTEQ.net**