

# SYSTEM DESIGN GUIDE

## MEETING ROOM WITH CEILING MICS



Biamp's meeting room solutions scale to bring clear communications and ease of deployment to any type of meeting room. Using our configuration, whatever your needs. it's simple to choose the right equipment

Parlé™ Microphones dynamically track and mix voices without any beam setup and Desono™ loudspeakers, matched with Biamp's compact PoE+ amplification technology, are optimized to reproduce human speech. Biamp Launch takes care of the rest with its one touch device discovery and tuning process.



### KEY TECHNOLOGIES

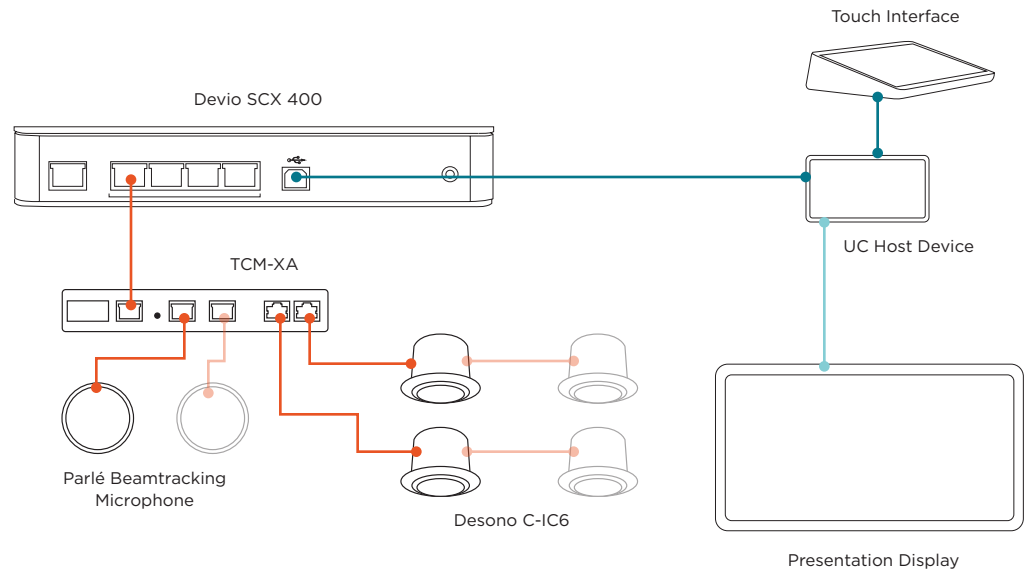
- Parlé Beamtracking Microphones identify and track voices removing the need for mic beam setup and allowing for natural sounding conversations.
- Biamp's next generation of X Series signal processors feature streamlined hardware designs, more power, and integrated connectivity for our PoE+ driven peripherals. They simplify system designs and speed up deployment.
- Connect to any UC platform using our certified USB interfaces for mute sync and enhanced acoustic echo cancellation.
- Biamp Launch enables unbeatably fast room deployment with zero programming and automatic room tuning completed in under 5 minutes.challenge.



(with integrated PoE+ amplifier)

**LEGEND**


- CATEGORY CABLE
- USB
- HDMI



## BIAMP EQUIPMENT LIST

QUANTITY	PRODUCT	DESCRIPTION
1	<b>Biamp MRB-M-SCX400-C</b>	Medium meeting room bundle with Devio SCX 400 and white ceiling microphone. Included Equipment: (1) Devio™ SCX 400 (1) Parlé TCM-XA White (2) Desono C-IC6 White (1) BPAK (1) 25' (7.5 M) Plenum Cat 5e Cable (4) 10' (3 M) Plenum Cat 5e Cable

## OPTIONAL ADDITIONS

OPTION	DESCRIPTION
<b>Larger room</b>	For large spaces choose a bundle including more microphones and loudspeakers: Biamp MRB-L-SCX400-C
<b>TesiraFORTÉ™ X processor</b>	Add greater tuning and system design flexibility including analog audio connections and out-of-the-box support for Dante devices but upgrading your system to include a TesiraFORTÉ X processor. Choose from one of the following bundles: Biamp MRB-M-X400-C Biamp MRB-L-X400-C
<b>Tesira™ EX-UBT</b>	Certification is pending of X Series signal processors. If a whitelisted USB interface is required add a Tesira EX-UBT to connect to UC host devices. 

CONFERENCE ROOM DESIGNER TOOL



[bia.mp/2TC90xK](https://bia.mp/2TC90xK)