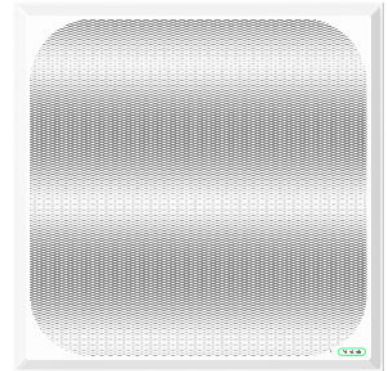


## Yealink CM50 Dante Beamforming Ceiling Microphone

Yealink CM50 is an innovative Dante ceiling microphone system that utilizes beamforming voice pickup technology. With 127 microphone units, it effortlessly covers a 5-meter radius pickup range and supports 8 independent customizable pickup zones. CM50 features prioritized pickup and acoustic fence functions to accurately capture sound within customized areas, effectively reducing unwanted environmental noise interference.

Equipped with AI-based sound optimization technology, CM50 intelligently eliminates noise and reverberation, ensuring a true and immersive auditory experience. With AI-driven dynamic feedback suppression and highly directional pickup beams, CM50 optimizes the performance of sound reinforcement systems\* while simplifying deployment. It also supports the Dante protocol, offering expandability for the CM50 system. With unparalleled audio fidelity and intelligent sound optimization, Yealink CM50 provides an unmatched experience for meetings and events.



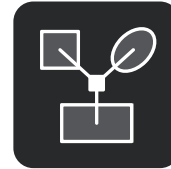
Dante Microphone



127 Microphone Units



5-meter Radius High-Quality Pickup



8 Custom Pickup Areas



AI-Based Sound Optimization



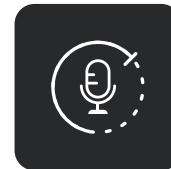
Intelligent Design



Acoustic Adaptation



Sound Source Localization\*



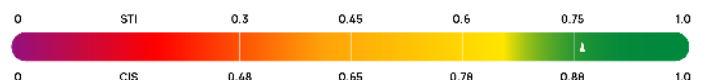
AI Feedback Suppression\*



Yealink Room Designer

The Yealink CM50 has a 5m radius premium pickup range (STIPA > 0.76)

- Reverberation Level RT60 = 408 ms @ 1 kHz
- Room noise level (weighted) = 40 dB(A) SPL (according to IEC 60268-16)



\* Feature is going to support in 2024 Q4

## Key Features and Benefits

### Ultra Coverage, High Fidelity

Yealink CM50 microphone features 127 omnidirectional pickup units and beamforming technology for fast and accurate sound capture. It supports up to 8 customizable pickup zones, reducing noise and delivering pure sound. Experience enhanced convenience and exceptional audio in complex meeting spaces with CM50!

### Intelligent Design and Deployment

Yealink's exclusive intelligent design and deployment feature, coupled with Room Designer software, offers a complete meeting room design experience with just basic room data. Yealink's acoustic environment adaptation solution provides algorithmic customization and tuning based on the room's acoustic environment, reducing deployment costs and improving efficiency. Achieve efficient and precise audio solution deployment with Yealink!

### Deep Integration with Microsoft Teams

Deeply integrated with Microsoft Teams, Yealink offers convenient features like automatic EQ switching and mute synchronization. Precise CM50 sound source localization\* ensures accurate camera tracking, making Yealink the best choice for your AV meetings. Combined with Yealink's native Teams room solution MVC, the CM50 solution provides an all-in-one, full Dante audio experience.

### AI Voice Optimization

Yealink's AI sound optimization model, trained in-house, combines intelligent noise reduction and echo cancellation algorithms for an exceptional audio experience. Yealink's AI sound optimization algorithm eliminates background noise and minimizes the impact of echo, ensuring your voice remains clear and sharp.

### Sound Reinforcement\*

Yealink CM50 supports the setup of sound reinforcement systems. Define areas as sound reinforcement zones without the need for speakers to wear or hold microphones, effortlessly achieving seamless and natural sound amplification. With built-in AI feedback suppression algorithm, CM50 dynamically suppresses actual howling levels, reducing deployment complexity and tuning challenges in sound reinforcement scenarios.

### Easy Deployment

Yealink CM50 requires only one PoE+ cable for power and data transmission. We offer the quickest deployment solution by directly replacing ceiling tiles, eliminating the need for drilling. It fits mainstream ceiling sizes of 60 \* 60cm or 2 \* 2ft. Optional accessories for suspension or adhesive ceiling mounting are included in the package.

\* Feature is going to support in 2024 Q4

## Specifications

---

### Acoustic Parameters

- Frequency response range: 120-20KHz
- Sensitivity: 0 dBV/Pa 94dB SPL@1kHz
- Signal-to-noise ratio: 86dB @1kHz, 94dB SPL A-Weighted
- Maximum sound pressure level: 122dB at < 1% THD
- Dynamic range: 86dB @ < 1% THD
- Dante audio:

### Dante Audio

- Output channels: 8+2 Dante output channels
- Input channels: 2 Dante input channels
  - 1 Dante input for AEC reference
  - 1 Dante input for AFC reference
- Sampling rate: 48K
- Bit depth: 24bit

### Product Design

- Microphone array: 127 MENS array
- Acoustic technology: Beamforming
- Product dimensions: L592\*W592\*T56mm
- Product weight: 5.15kg (net weight, excluding accessories)
- Product color: Apple White
- Product Material: SGCC/SPCC/AL5052
- Certification: Plenum Rated UL 2043 (suitable for air handling spaces)
- Physical interface:
  - 1\* RJ-45 interface
  - 1\* 3-pin Phoenix connectors for analog output

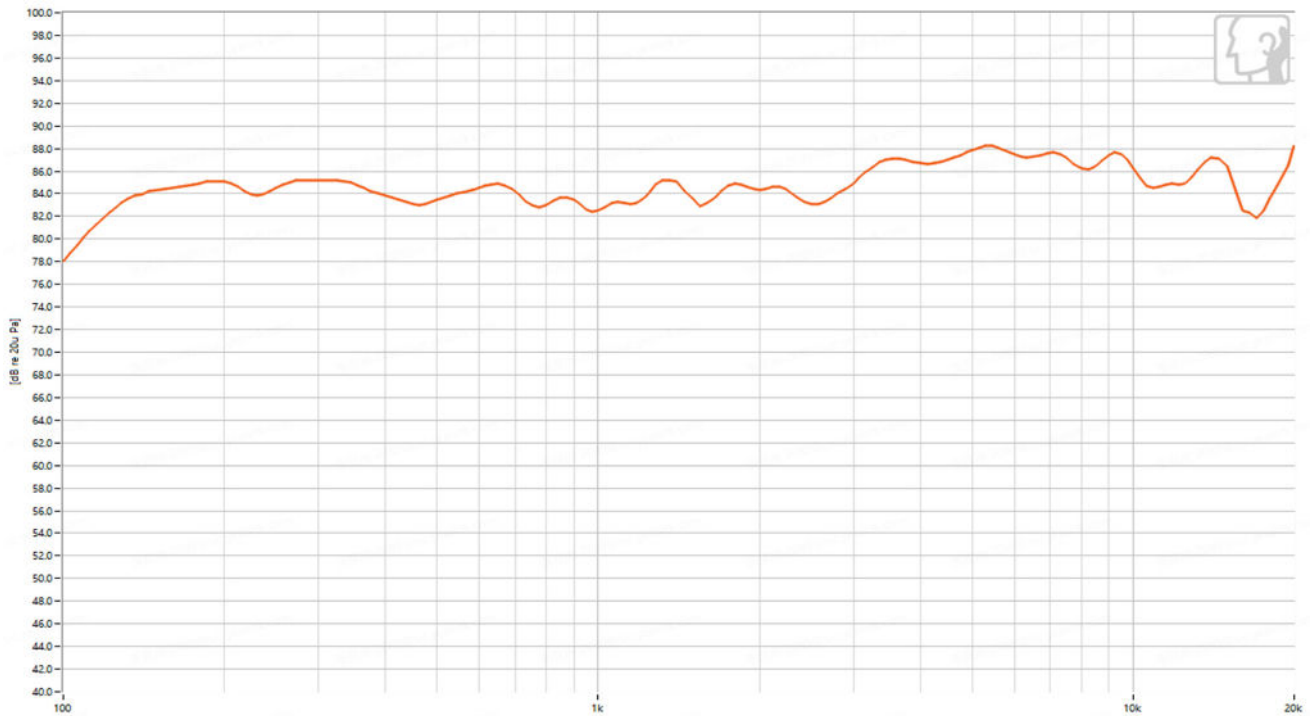
### Operating Information

- Power requirements: IEEE PoE+ (IEEE 802.3at class 4)
- Power consumption: Rated power 19.3 W  
Typical power 17 W
- Operating temperature: 0-40°C
- Operating humidity: 0-93%RH

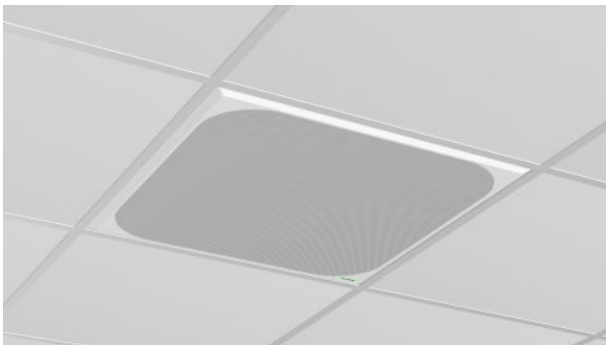
### Logistics Information

- Giftbox dimensions (L\*W\*H): 722 \* 687 \* 110 mm
- Weight: N.W/CTN: 7.750 kg  
G.W/CTN: 9.790 kg
- Storage temperature: -30~70°C

## Frequency Response Curve



## Hardware Deployment



In the Ceiling



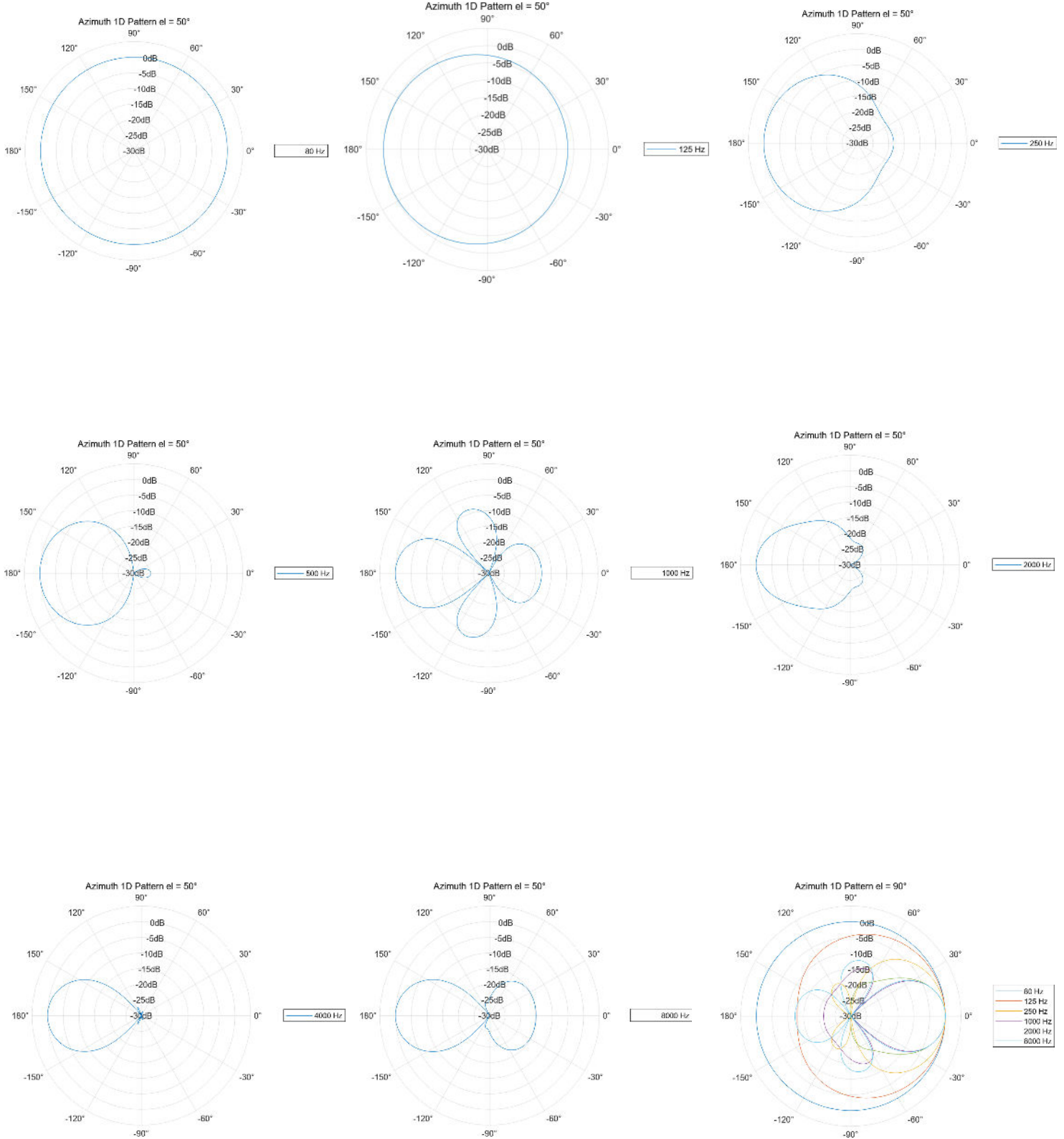
Suspend from the Ceiling



On the Ceiling

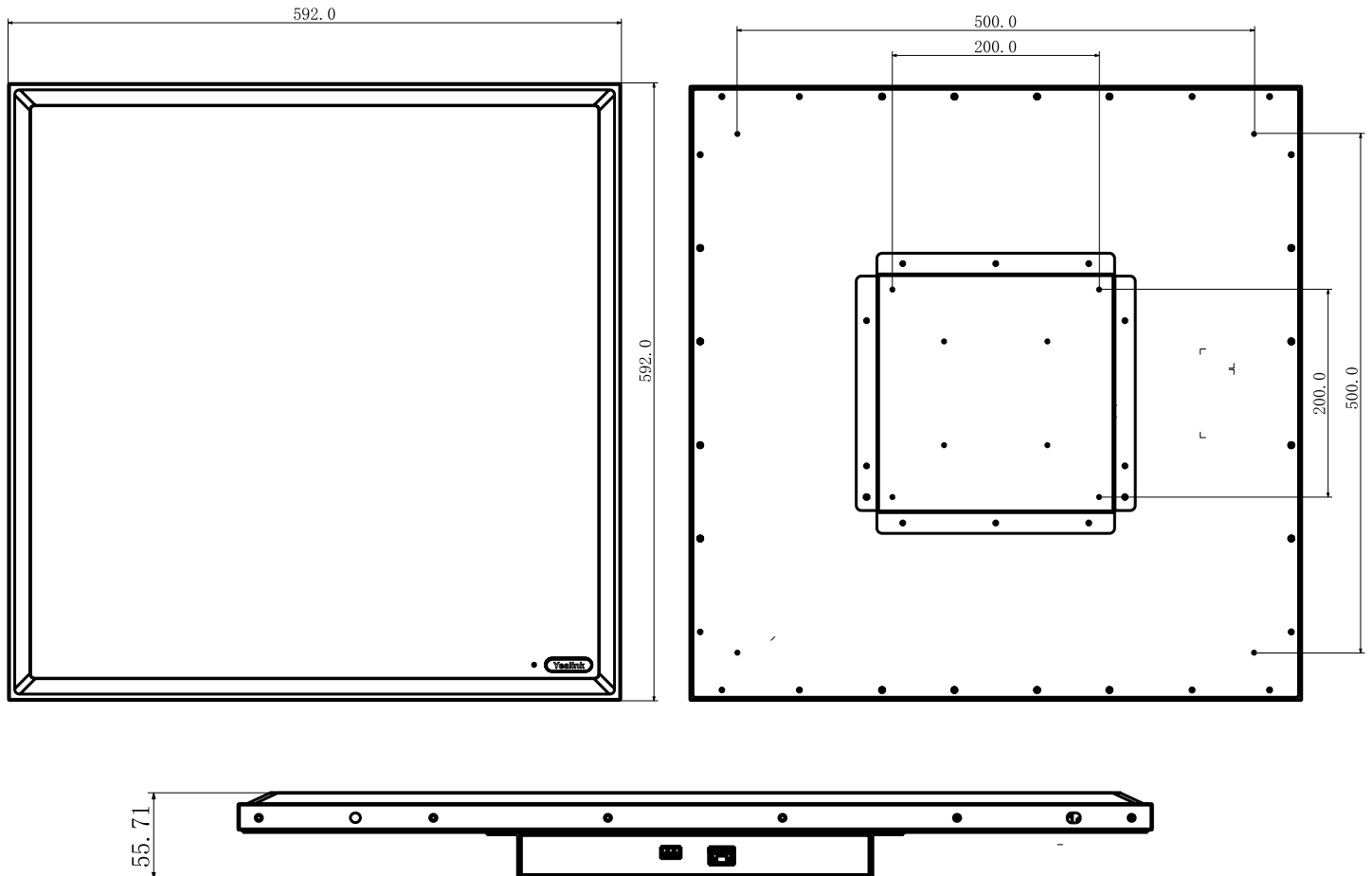
## Polarity Diagram

The shape of the lobe is: medium



## Dimensions

Unit: mm



## Interface

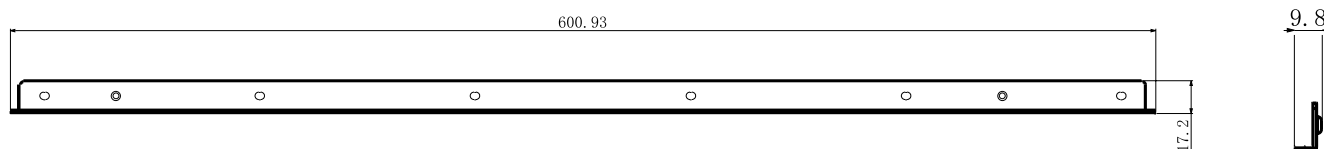
Ethernet RJ-45 PoE+ Dante interface used for audio transmission and network control

Analog Out 3-pin Phoenix connectors for analog output for analog audio output

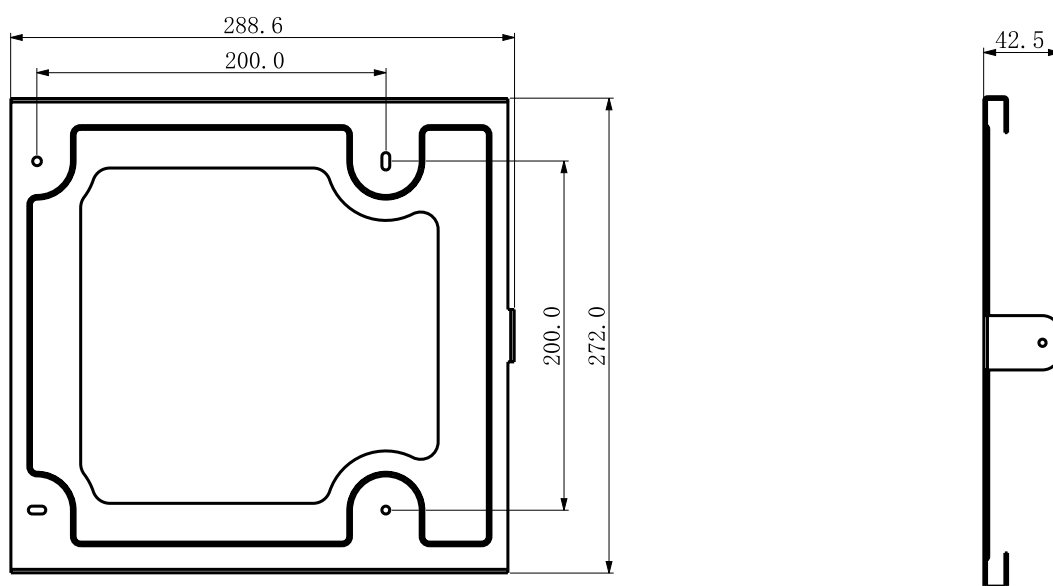


## Accessory Dimensions Unit: mm

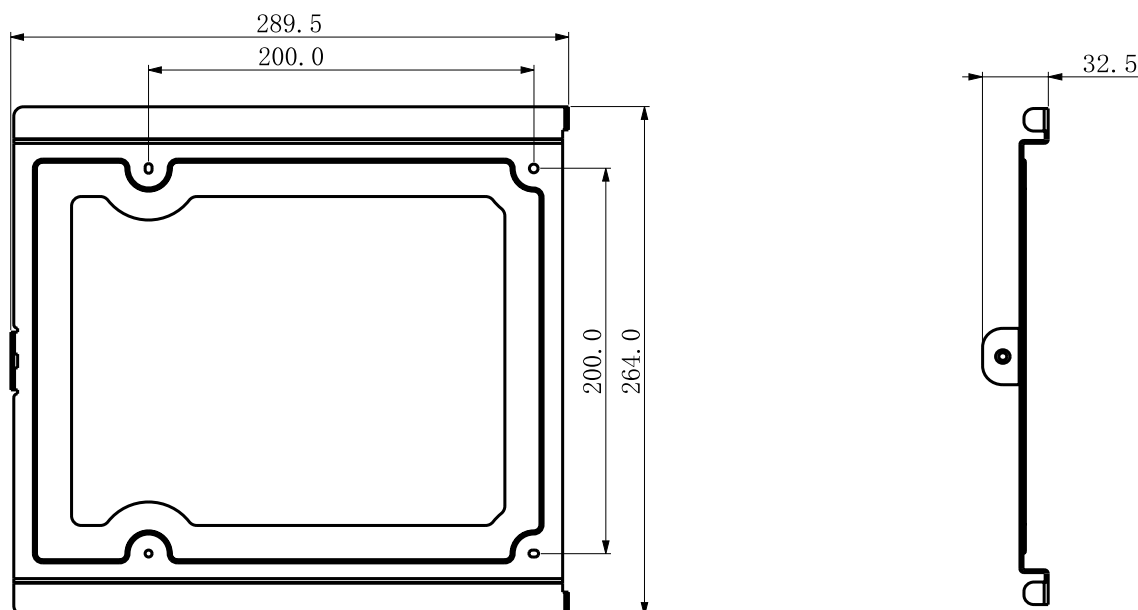
### Angle Bracket



### Mounting Bracket A



### Mounting Bracket B





## About Yealink

Yealink (Stock Code: 300628) is a global-leading provider of Unified Communication & Collaboration Solutions specialized in video conferencing, voice communications, and collaboration, dedicated to helping every person and organization embrace the power of "Easy Collaboration, High Productivity".

With best-in-class quality, innovative technology, and user-friendly experiences, Yealink is one of the best providers in more than 140 countries and regions, ranks No.1 in the global market share of IP Phone, and is the Top 5 leader in the video conferencing market (Frost & Sullivan, 2021).

For more information about Yealink, [click here](#).

## Copyright

Copyright © 2023 Yealink(XIAMEN) NETWORK TECHNOLOGY CO., LTD.

All rights reserved. No parts of this publication may be reproduced or transmitted in any form or by any means, electronic or mechanical, photocopying, recording, or otherwise, for any purpose, without the express written permission of Yealink (Xiamen) Network Technology CO., LTD.

## Technical Support

Visit Yealink WIKI (<http://support.Yealink.com/>) for firmware downloads, product documents, FAQ, and more. For better service, we sincerely recommend you to use Yealink Ticketing system (<https://ticket.Yealink.com>) to submit all your technical issues.  
Yealink



■■ (XIAMEN) NETWORK TECHNOLOGY CO.,LTD.  
Web: [www.■■.com](http://www.■■.com)  
Addr: No.666 Hu'an Road, High Tech Park,  
Huli District, Xiamen, Fujian, P.R.C  
Copyright©2023 ■■ Inc. All rights reserved.